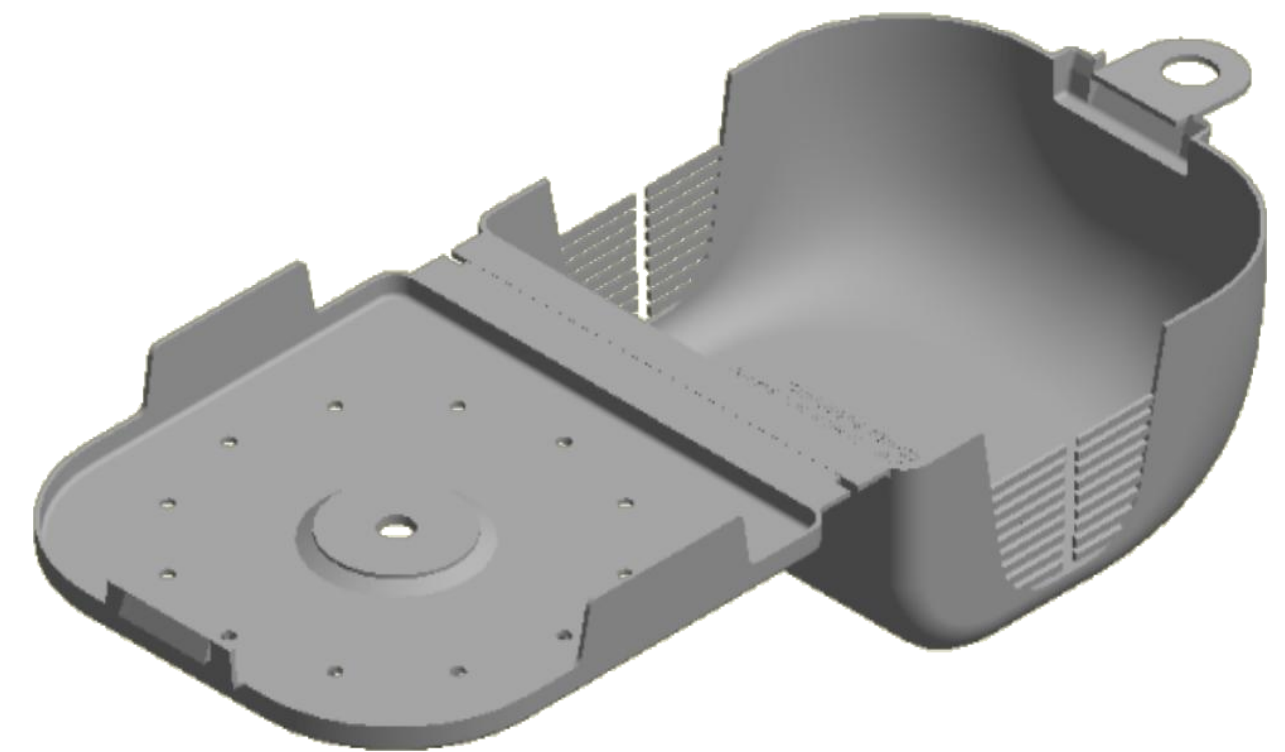
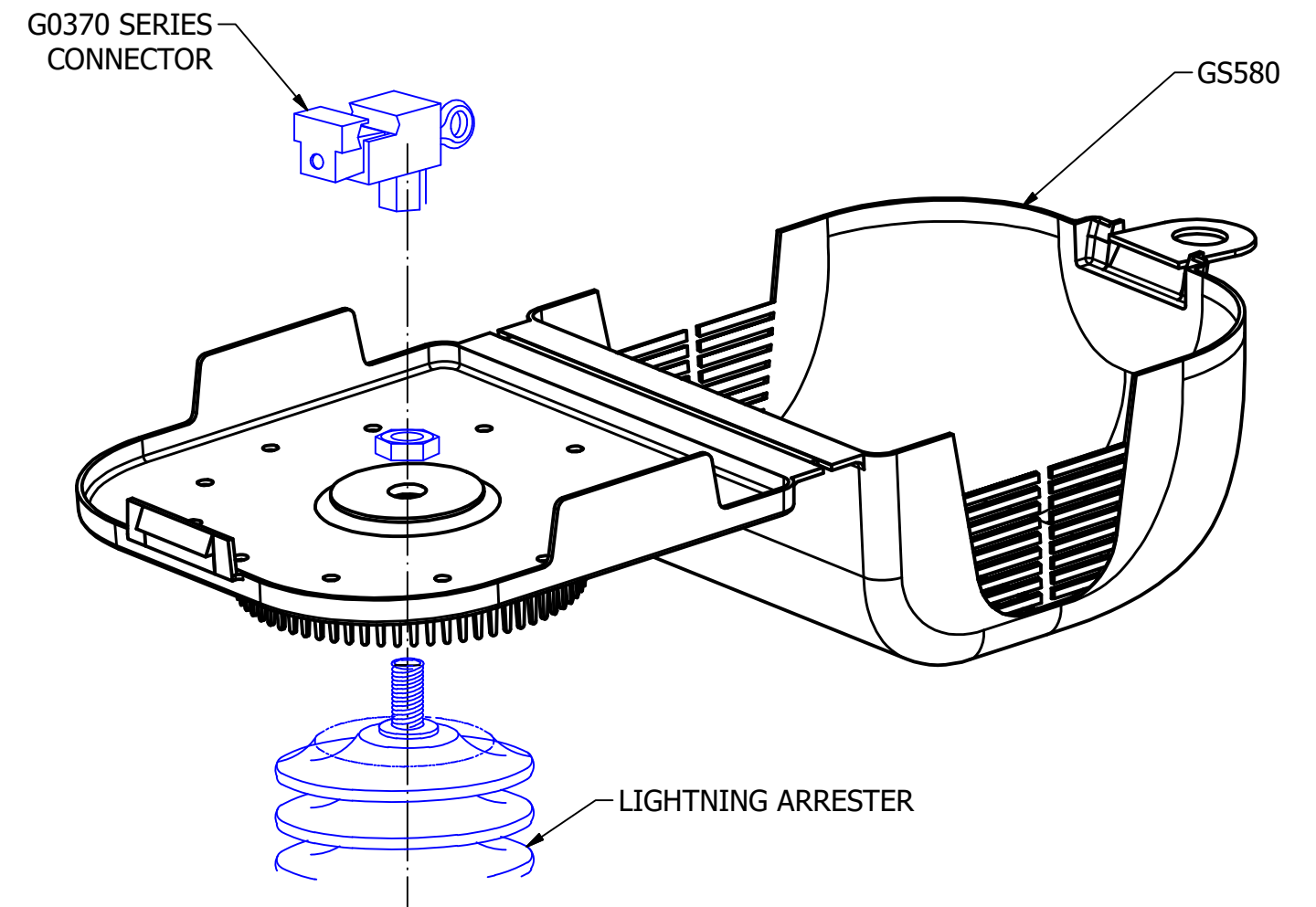
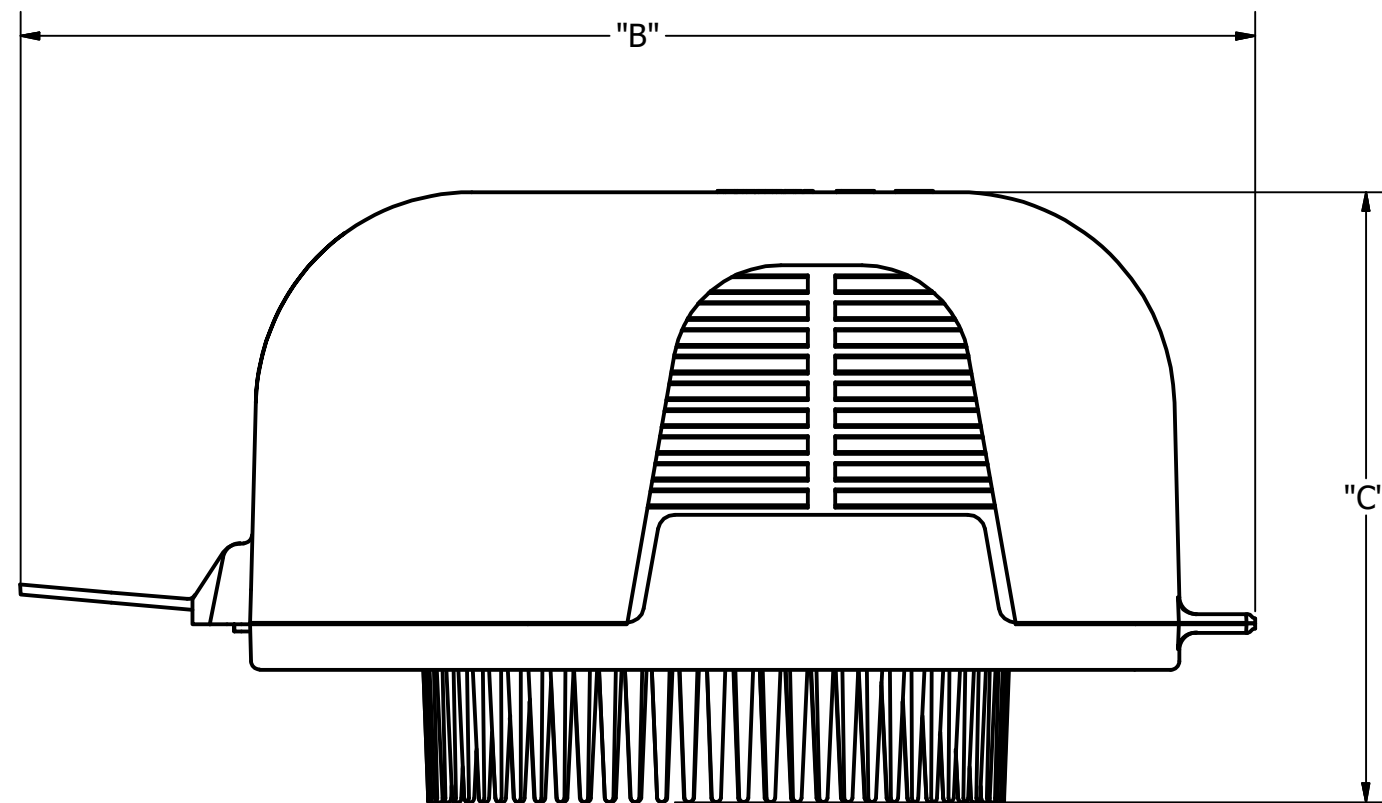
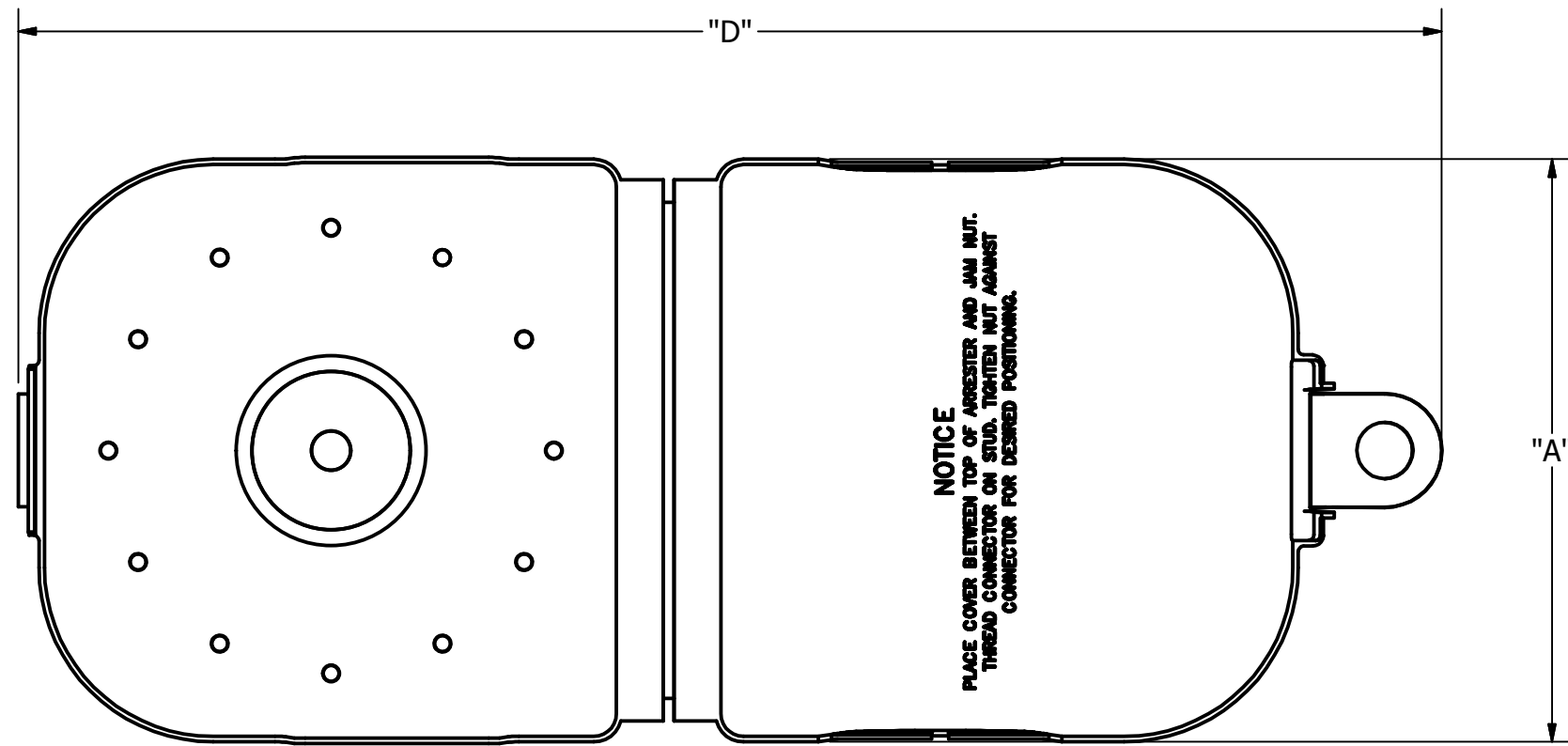


CATALOG NUMBER	BUSHING ACCOMMODATED	DIM "A"	DIM "B"	DIM "C"	DIM "D"	NOMINAL INSULATOR SKIRT DIAMETER (MIN. - MAX.)	APPROX. WT. EACH	STANDARD PACK
GS580	COVERS ARRESTER TO LINE CONNECTION (LIGHTNING ARRESTER)	6.5 [165.1]	8.5 [215.9]	4.2 [106.7]	15.8 [401.3]	FITS UPTO 6.000 DIAMETER ARRESTER [153.70]	.400 [.18]	50

ITEM	DESCRIPTION	MATERIAL
1	WILDLIFE COVER BODY	POLYPROPYLENE



NOTES:

- ALL DIMENSIONS FOR REFERENCE ONLY. DISTANCE IN. [MM], FORCE LBS. [kN], TORQUE IN. LBS. [N.m], & WEIGHT LBS. [KG].
- RATINGS:
 - A. UV RESISTANT
- CERTIFICATIONS, SPECIFICATIONS, & STANDARDS:
 - A. NA
- SUFFIXES & VARIANT CONFIGURATION:
 - A. NA

79091	07/03/19	HD	RG	HPS.	HUBBELL® POWER SYSTEMS POWER SYSTEMS, INC.			
EC #	DATE	CHG BY	RESP ENG			TITLE		
DESC OF DWG: INITIAL RELEASE NEW CC-TEMPLATE				CONFIDENTIAL: THIS DRAWING AND ITS CONTENTS ARE CONFIDENTIAL AND THE EXCLUSIVE PROPERTY OF HUBBELL POWER SYSTEMS. NO PUBLICATION, DISTRIBUTION OR COPIES MAY BE MADE WITHOUT THE WRITTEN CONSENT OF HUBBELL POWER SYSTEMS. HUBBELL POWER SYSTEMS UNPUBLISHED ALL RIGHTS RESERVED UNDER THE COPYRIGHT LAWS	GS, WILDLIFE PROTECTOR			
REASON (S) FOR CHANGE: DISPOSITION OF MAT'L:					SIZE	DWG NO.	CAT / PART / ASSY NO.	REV
				C	CC-26217	GS580	00	
				DO NOT SCALE THIS DRAWING	DRN BY	RG	DATE 07/02/19	SHEET 1 OF 1